

MECATRON

MECATRON Brand Vertical 3-4-5 Axis CNC Machining Center, Horizontal 3~4 Axis CNC Machining Center with / without Pallet Changer, Horizontal standard ~ with Milling Function ~ Double Spindle CNC Lathe , CNC Deep Hole Drilling, 5 Axis CNC Machining Center.

By : Siam Elmatech Co., Ltd.

www.siamelmatechgroup.com



Mecatron
CNC VERTICAL MACHINING CENTERS
龍馬精機
Vertical CNC Machining Centers

Mecatron SMART CNC MACHINING CENTERS
Dapper entry-level models. Small but complete.

VMC-600/800/855
(V.T. 2 Linear way)

Features

- The machine is constructed from high quality Meehanite castings.
- Variety of high speed cutting selection, low noise cutting with stable materials.
- Great cutting capability is combined with superior accuracy and performance that can mill and bore easily.
- High speed machines are specially designed for industries that demand high precision and high accuracy, such as small holes cutting, electronics industry, automotive and job shop industries.



Mecatron Evaluation Non-stop. Mecatron Just

Based on an excellent know-how technology ability and good teamwork, Mecatron Machinery Company always overcomes lots of difficulties and just go ahead with great passion for machine building.

Owing to the best quality, technology, R&D and after-sales service, Mecatron obtains customers' trust.



VMC-960/1060/1260
High Accuracy CNC Machining Centers

VMC-1480/1680/1690
Heavy Duty CNC Machining Centers




Mecatron
Horizontal / Vertical Machining Center



龍馬精機
臥式/立式綜合加工中心機

HIGH-SPEED HIGH-ACCURACY HIGH-QUALITY
Moving)



Mecatron

iPhone 6 case cutting

Mitsumi Machinery Co., Ltd. <http://www.mitsumi.com.tw>

ST GO AHEAD **Mecatron**

HIGH SPEED
HIGH RIGIDITY
HIGH PRECISION
HIGH RELIABILITY
HIGH PERFORMANCE



VMC-400P / VMC-500P / VMC-600P / VMC-700P

Contents

Horizontal Machining Center	3 - 12
Vertical CNC Machining Center with APC System	13 - 22

PERFORMANCE UP! TIME-SAVING UP! PRECISION UP!

VMCs with Automatic Pallet Change

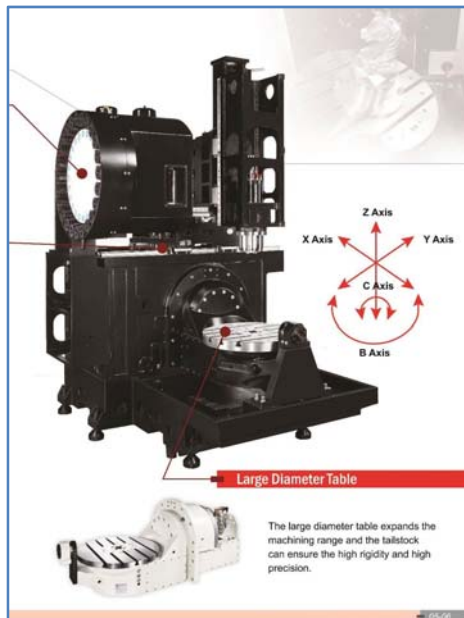
Vertical machining center with automatic pallet change can be applied to do complex machining such as milling, drilling, boring, reaming and facing operations etc. The exchange mechanism directly on the base, easy to install, good water resistance and to avoid waste of space. Repairs and maintenance are also very convenient and simple.

For the quantitative needs of modular production and product accuracy and machining speed requirements, machine with APC(Automatic Pallet Changers) is the best choice.



Model	VMC-400P	VMC-500P	VMC-600P	VMC-700P
Table(A)	320mm	400mm	400mm	500mm
Table(B)	400mm	560mm	720mm	700mm
Table(loading)	200KGS	200KGS	250KGS	250KGS

Mitsumi Machinery Co., Ltd. <http://www.mitsumi.com.tw>



X Axis
Y Axis
Z Axis
C Axis
B Axis

Large Diameter Table

The large diameter table expands the machining range and the tailstock can ensure the high rigidity and high precision.

Mecatron
龍馬精機 5 Axis Machining Center
MU-620




Siam Elmatech Co.,Ltd.

ID LINE : [udomsaksodsai](https://www.facebook.com/udomsaksodsai)

E-MAIL : ukofset@ksc.th.com

MOBILE : 089-776-2912