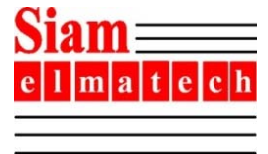


CNC MACHINING CENTER



EQUIPTOP Brand CNC Machining Center ...Technologies & Economy

Production milling center...

Distribute by : Siam Elmatech Co., Ltd.



EMV-600




FANUC controller Oi-MD

- Pre-tension ball screw for X, Y, Z, axis, ensure high positioning accuracy and durability.
- Thoroughly detail to suit easy access to assist precision operation, main & easy service.

CNC Vertical Machining Center

100



PRECISION CONSTRUCTION DESIGN
X, Y, Z, axis, ensure high rigidity, high accuracy, high stability, easy access to assist precision operation.

PROVIDE VALUE
High Rigidity, High Accuracy Construction Design.



Enlarged base design.

EXCELLENT FEATURES PROVIDE VALUE
High Rigidity, High Accuracy Construction Design



Pre-tension ball screw for X, Y, Z, axis. Enlarged base design.

HIGH RIGIDITY, HIGH ACCURACY CONSTRUCTION DESIGN

EMV CNC Vertical Machining Center

Item	UNIT	EMV-10	EMV-60APC	EMV-600	EMV-600APC	
Travel	Max. Travel For X-Axis	mm 970	970	600	600	
	Max. Travel For Y-Axis	mm 400	390	400	400	
	Max. Travel For Z-Axis	mm 400	400	400	400	
	Spindle Nose To Table	mm 210-660	180-430	150-400	150-400	
Spindle Speed	rpm	3.7	3.7 / 1.5 (optional)	8000	10000 (optional)	
	ATC System	Tool Qty	11	Arm type 20T	Armless type 15T	
Table	Max. Tool Diameter	mm 85	85	85	85	
	Max. Tool Length	mm 200	200	200	200	
	Max. Tool Weight	kg 3	3	3	3	
	Tool Shank	mm	BT30	BT30	BT30	
Motor	Spindle Motor	kW/HP	3.7 / 5.0	3.7 / 5.0 (optional)	7.5	
	X / Y / Z Servo Motor	kw	1.0 / 1.0 / 3.0 (Absolute)	1.5 / 1.5 / 3.0 (Absolute)	1.5 / 1.5 / 3.0 (Absolute)	
Table	Table Size	mm	800x360	(960x400) 42	700x450	(720x500)
	Max. Table Capacity	kg	200	200x2	600	200x4
	Table Center (mm) x (mm)	mm	100/140x3	100/140x3	125x150x3	---
	X Rapid Travel	mm/min	48 linear	48 linear	38 linear	38 linear
Feed Rate	Y Rapid Travel	mm/min	48 linear	48 linear	38 linear	38 linear
	Z Rapid Travel	mm/min	48 linear	32 linear	30 linear	30 linear
Capacity	Cutting head mass	mm/min	---	---	4470	---
	Control Panel	Manufacturer or Fanuc	---	---	---	---
Weight	Machine Weight	kg	3800	4300	4000	5000
	Installation Weight	kVA	10	10	15	15
Dimensions	Machine	mm	---	---	---	---
	Installation	mm	---	---	---	---

Siam Elmatech Co.,Ltd.

ID LINE : [udomsaksodsai](https://www.whatsapp.com/channel/00299170000000000000)

E-MAIL : ukofset@ksc.th.com

MOBILE : 089-776-2912